

**Submittal Data: UMAT24HP230V1AC 24,000 BTUH Ceiling Cassette Heat Pump System**

Job Name Location Date

Purchaser Engineer

Submitted To For  Reference  Approval  Construction

Unit Designation Schedule No.

- GENERAL FEATURES**
- Multi-Speed Fan
  - 4-way Discharge Air
  - Internal Condensate Drain Pump
  - Wireless Remote Controllers
  - Power Failure Recovery
  - Sentry Condensate Overflow Protection
  - Decorative Grille ( Part# UMAT24GRILLE -Sold Separately)
  - 5 yr. Limited Parts Warranty
  - 7 year Limited Compressor Warranty



**System Ratings**

**Indoor Unit Data**

<b>Cooling</b>		
Rated Capacity		23,800 BTU/H
Capacity Range		8,200-29,000 BTU/H
Power Input (Max)		2,500 W
SEER		18.0
EER		10.7
<b>Heating at 47° F</b>		
Rated Capacity		27,200 BTU/H
Capacity Range		8,200-32,400 BTU/H
Power Input (Max)		2,750 W
HSPF		10.0
COP		3.4
<b>Heating at 17° F</b>		
Rated Capacity		15,700 BTU/H

<b>Fan Motor</b>	Output Power	1/5HP
	FLA	0.5 A
<b>Airflow</b>		
	Cooling Wet (Lo/Hi)	510/765 CFM
	Heating Dry (Lo/Hi)	510/765 CFM
<b>Sound Pressure Level</b>		
	Cooling (Min/Max)	38/47 db(A)
	Heating (Min/Max)	38/47 db(A)
<b>Dehumidification</b>		
		1.14 pt/hr
<b>Condensate Drain Lift (Height)</b>		
		39-in
<b>Power Supply</b>		
	Normal Operational Voltage	208/230 V, 1 Phase, 60 Hz
	Voltage Range	187 - 253 V
	Interconnecting Cable Wire Size	18-2 AWG
	MCA	1.0A
	MOCP/Breaker Size	15A

**Operating Range**

**Outdoor Unit Data**

Cooling	(Max)	115°F (46 C)
	(Min)	0°F (-18 C)
Heating	(Max)	75°F (24 C)
	(Min)	0°F (-18 C)

<b>Compressor</b>	DC Inverter Driven Rotary
<b>Refrigerant Type</b>	R410A
<b>Fan Motor</b>	Output Power
	FLA
	1/6HP
	1.5 A
<b>Sound Pressure</b>	
	Cooling/Heating
	57/57 db(A)

**Refrigerant Piping Data**

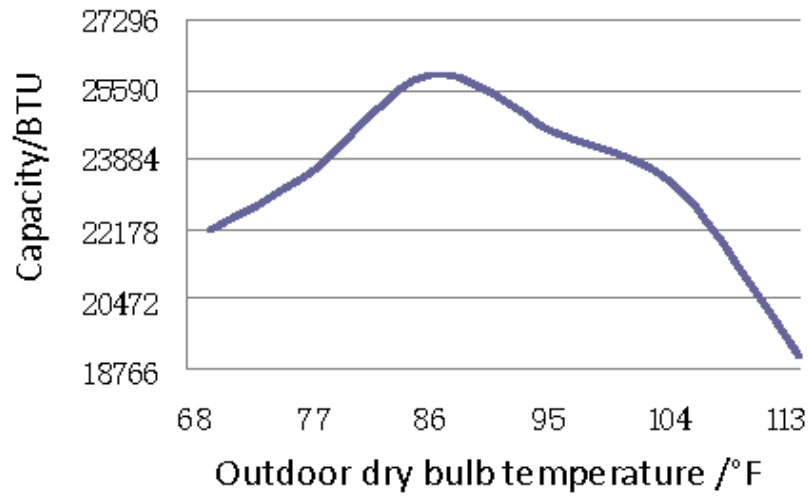
Gas Pipe Size (OD)	5/8-in
Liquid Pipe Size (OD)	3/8-in
Connection Method	Flared
MAX Refrigerant Pipe Length	98-ft
MIN Refrigerant Pipe Length	10-ft
MAX Refrigerant Pipe Elevation	49-ft

<b>Power Supply</b>	
	Normal Operational Voltage
	208/230 V, 1 Phase, 60 Hz
	Voltage Range
	187 - 253 V
	MCA
	24A
	MOCP/Breaker Size
	40A

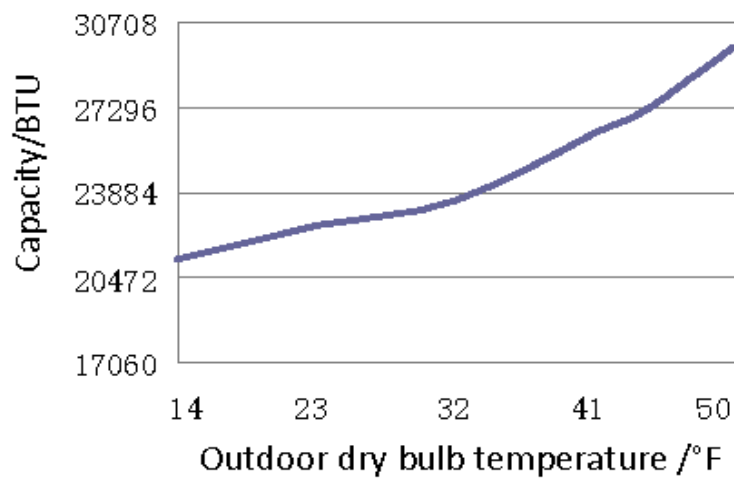


**EXTENDED RATINGS**

**COOLING PERFORMANCE**

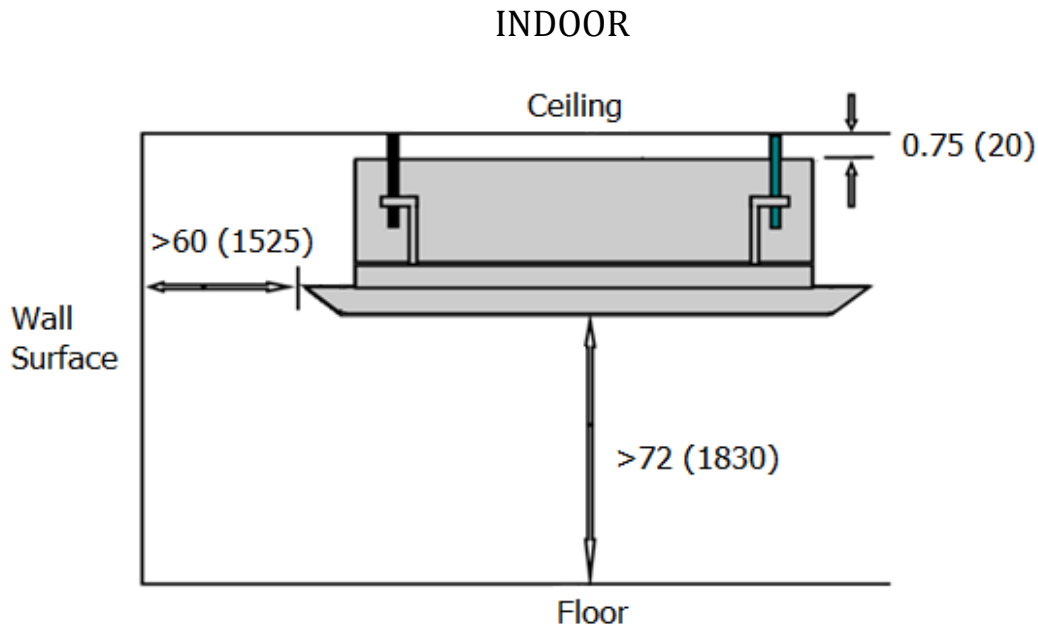


**HEATING PERFORMANCE**

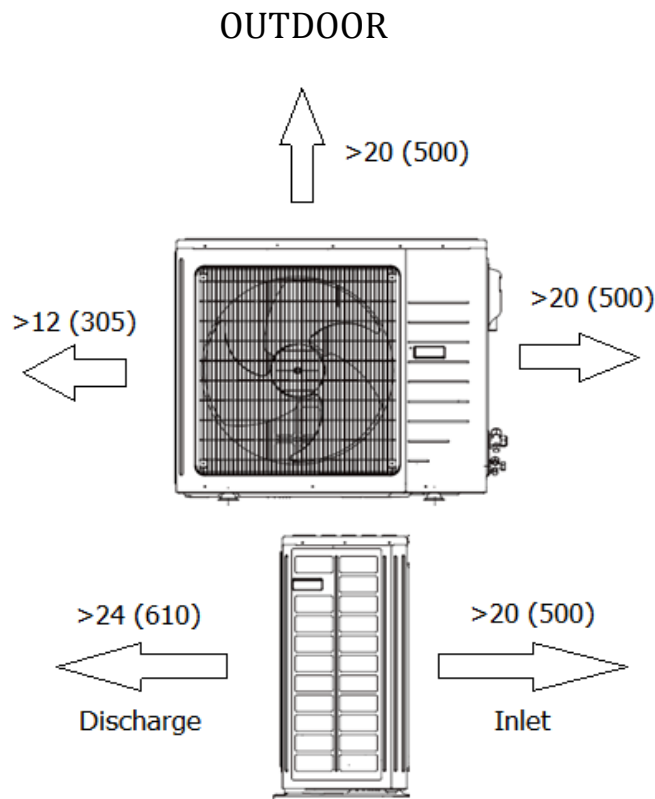


### MINIMUM SPACING REQUIREMENTS

Units: inch (mm)

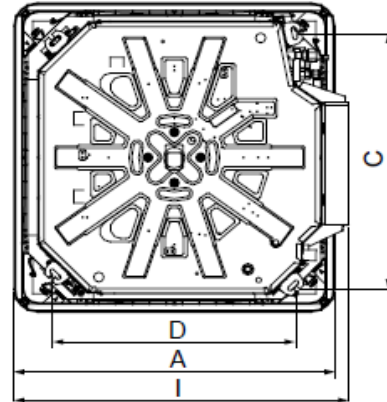
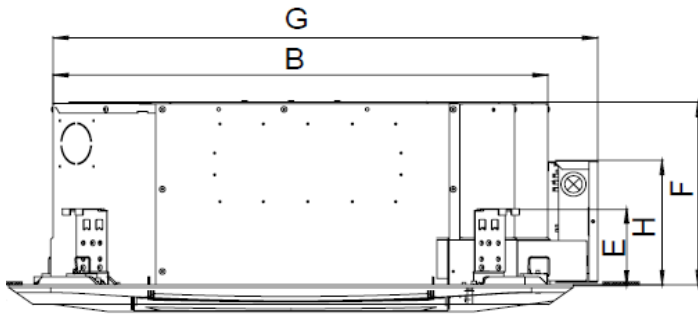


Units: inch (mm)



**INDOOR UNIT DIMENSIONS & WEIGHTS**

Units: inch (mm)



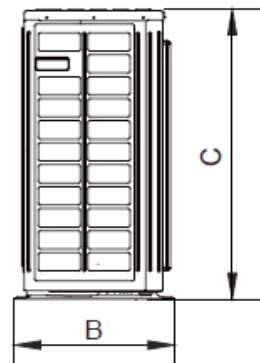
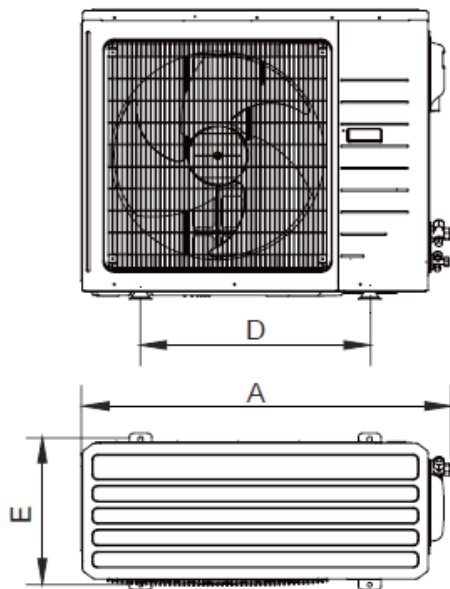
A	B	C	D	E	F	G	H	I
37.375 (950)	32.75 (833)	30.75 (780)	26.75 (680)	6.25 (160)	9.5 (240)	36.125 (917)	8.5 (215)	39.125 (993)

Liquid Line Valve	3/8-in OD Flared
Gas Line Valve	5/8-in OD Flared
Drain Connector	1-in OD

Net Weight	60 lbs
Shipping Weight	84 lbs

**OUTDOOR UNIT DIMENSIONS & WEIGHTS**

Units: inch (mm)



A	38.625 (980)
B	16.75 (427)
C	31.125 (790)
D	24.0 (610)
E	15.5 (395)

Net Weight	152 lbs
Shipping Weight	163 lbs

Liquid Line Valve	3/8-in OD Flared
Gas Line Valve	5/8-in OD Flared

**Notes:**

1. Recommended Communication Cable Type 18-2 AWG Stranded Copper THHN 600V Wire
2. Power wiring cable size must comply with applicable national and local codes.
3. Test conditions are based on AHRI 210/240.



Specifications are subject to change without notice. Manufacturer reserves the right to discontinue or modify specifications or designs without notice or without incurring obligations. All rights reserved.